

giroflex 10

Sit-Stand Stool

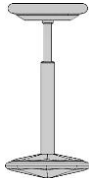
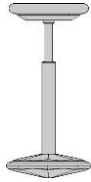
Active sitting. The innovative sit-stand stool giroflex 10 brings a new healthy dynamics into sitting. Because the cult-colored object is not only something for the eye, but for the entire musculoskeletal system as well: Promotes balance, strengthens the muscles, relieves the spine and counteracts incorrect posture. This increases the physical and mental agility and thus the performance - at home, in the bistro or in the workplace. In short: Wherever you work with head or hands where you paused or relaxed.

A product Flokk AG
giroflex.com / flokk.com



Designer:
Zemp + Partner Design (Origin Design – 2003)
Paolo Fancelli (Design Update – 2016)

Measurements: (acc.to EN 1335)

giroflex 10 Upholstered Integral foam	 10-2020	 10-3020
Seat height	64-81cm	64-81cm
Seat surface	Ø 30cm	Ø 30cm
Rubber sole	Ø 33cm	Ø 33cm
Weight	7.5kg	7.5kg

Product Specification

Technical specification

Rubber sole	For hard and soft floors Angle of inclination 14° 8 stand positions / circle segments
Foot disk	Basic weight made of die-cast aluminium, powder coated
Conical shaped encasement	<u>Option</u> PU foam cone covered with fabric or vinyl according to price list. CFC-free. Flame retardant as per: - California 117/A - FMVSS 302 Changes total weight by +0.8kg
Column	Continuous height adjustment, seat height 64-81 cm
Height adjustment	Tripping around, gently pulling the trigger plate under the seat.
Seat surface upholstered or integral foam	Concave (curved inwards), diameter = 30 cm, comfortable seating 10-2020 PUR-molded foam, covered with fabric or vinyl, CFC-free Flame retardent as per: - California 117/A - FMVSS 302 10-3020 Integral foam, black, textured surface
Powder coating Foot disk	Mixed powder (epoxy and polyester) Mixing ratio ~ 50: 50 Colours: 810 black 812 perl-metallic 813 alu-metallic
Packaging	Protective and presentation packaging incl. carrying handles Measurements: Height 73cm Diameter 34cm

