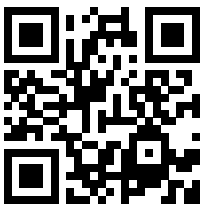




giroflex 64 ^{24h}

Designed by Paolo Fancelli
for Flokk brand Giroflex

Learn more about
giroflex 64 24h



The giroflex 64 is a true icon of the Giroflex brand.

24h Swivel chair. The giroflex 64 swivel chair stands for noticeably correct sitting. This global million seller classic of office furnishings, guarantees perfect seating comfort. The technical perfections and the scientifically tested ergonomics allow the giroflex 64 swivel chairs offer its users optimal support in every sitting position.

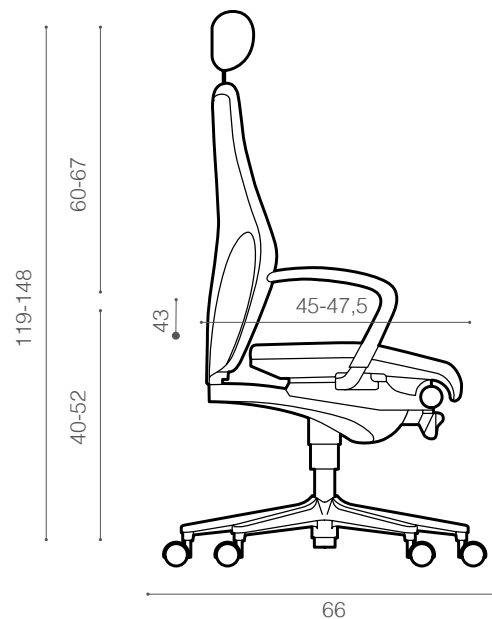
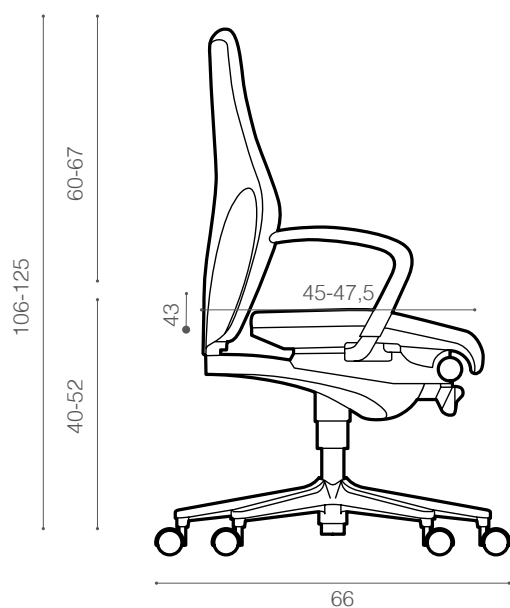
Designed to combine formal appeal with technical perfection, the individuality of the occupants is well reflected in the variety of options in giroflex 64. The giroflex 64 24h offer include a range of specially reinforced, and robust, options for workplaces where focused performance is of essens through day and night. This giroflex 64 24h chair model is delivered with armrests. The giroflex 64-9278 24h is delivered with adjustable headrest in adition to armrest.

The dual-zone seat profile ensures support and wellbeing throughout the day, together with the Giroflex organic move synchro motion mechanism.

Measurements

64 - 9278 24h

64 - 9878 24h



giroflex 64	-9278-24h	-9878-24h
Seat height loaded	40-52cm	40-52cm
Total height (without headrest)	106-125cm	119-148cm
Backrest height above seat	60-67cm	60-67cm
Seat width	51cm	51cm
Backrest width	47cm	47cm
Total width (5-arm base)	66cm	66cm
Backrest height adjustable range	7cm	7cm
Seat depth	45-47.5cm	45-47.5cm
Backrest inclination angle	+24°	+24°
Mechanism automatic adaption to the body weight	65-150kg	65-150kg

Models and Measurements (acc. to EN-1335 Type B) | Measurements can vary slightly from chair to chair

Technical description

Base	Standard <ul style="list-style-type: none">• 5-arm aluminium diecast base
Castors	Dual wheel castors Ø 50mm, black for hard or soft floors Castors in default configuration are braked unloaded Option: <ul style="list-style-type: none">• Dual wheel castors Ø 65mm, black version. Note: Seat height loaded changes by +1cm Option: <ul style="list-style-type: none">• Plastic glides instead of castors. Metal shaft coated. Note: Seat height loaded changes by +1cm
Column / gas lift	<ul style="list-style-type: none">• Standard component for seat height infinitely adjustable range=12cm• Type approved acc. to EN 16955 Class 4• Push rod covering Option: <ul style="list-style-type: none">• Push rod covering
Synchro-mechanism	<ul style="list-style-type: none">• Aluminium diecasting design• Reinforces version for users up to 150kg• Point synchronous movement: seat /backrest ratio = 1:2 seat angle = 0° to 12° back angle = 0° to 24° 6 preset positions or „freefloat“ built-in torsion rods (no gas cylinder)• Tilt resistance individually adjustable with center turning knob Option <ul style="list-style-type: none">• Aluminium polished
Controls	The controls are positioned so to be easily accessible, when sitting in the chair <ul style="list-style-type: none">• Handle (left) for seat height adjustment• Release button (right) for seat depth adjustment• Handle (right) for lock and release of mechanism• Press button for vertical adjustment of backrest• Center turning knob for individual tilt resistance
Seat depth adjustment	<ul style="list-style-type: none">• 3 preset positions• Adjustment range = 2.5cm
Seat shell	Polypropylene with 15% mineral powder (PP MD15), black (810), structured surface
Back shell	Polypropylene (PP) structured surface. black (810) Option: <ul style="list-style-type: none">• Covered with fabric 'Strong' or leather
Backrest height adjustment	<ul style="list-style-type: none">• 8 preset positions• Adjustment range = 7cm

Technical description

Lumbar support	Optional <ul style="list-style-type: none">• Adjustment range approx. 2cm
Upholstering foam	PUR-foam, free of CFC Flame retardent as per: <ul style="list-style-type: none">• California 117/A• FMVSS 302 Foam-hardness according to DIN53576c / ISO2439: <ul style="list-style-type: none">• Seat 260N \pm10%• Backrest 260N \pm10%• Volume weight \sim57kg/m³
Seat and backrest cushion upholstered	Can be exchanged on site (at the workplace)
Powder coating	Epoxy-Polyester mixed powder mixing ratio \sim 50:50 Colours: <ul style="list-style-type: none">• 810 black• 812 perl-metallic• 813 alu-metallic
Shape of seat and backrest	2-zone seat: <ul style="list-style-type: none">• The front part (approx. 1/3 of the seat surface) has a 7° forward tilt to relieve pressure on thighs• The rear part supports the pelvic area and prevents the occupant from sliding forward Backrest: <ul style="list-style-type: none">• Pronounced ergonomic design for optimal adaptation and support of the back
Covering materials	<ul style="list-style-type: none">• 24h fabric 'Strong' with 500,000 Martindale or leather Detailed technical information on fabrics see the homepages or the fabric sample cards
Coat hanger	<ul style="list-style-type: none">• Powder colours: 810 black, 812 pearl-metallic, 813 alu-metallic
Headrest	<ul style="list-style-type: none">• Height- and tilt-adjustable
Armrests	<ul style="list-style-type: none">• Standard armrests fixed. Soft pad arm supports, structured surface. Support: die-cast aluminium, powder coated or polished (option)• 4D-armrests (height- and width adjustable armpads longitudinal) Option: <ul style="list-style-type: none">• Covered with fabric 'Strong', or leather
Certifications and environment	<ul style="list-style-type: none">• EPD• Greenguard Gold• GS• EN 1335-1:2020 Type B

Recycling

Basic version of giroflex 64			
Recyclable materials	Material	Mix (weight)	Recyclable
Column & Steel parts	Fe	10%	100%
Aluminium	Al	52.8%	100%
Plastic	PP / PA	20%	100%
Seat upholstery	PUR CFC-free	13,7%	98%
Components (e.g. castors)	PA / Fe	2,4%	0%
Covering materials	Fabric Trevira CS	1,1%	Up to 100%

All plastic parts are identified acc. to ISO/DIS 11469 (identification of specific types)

Plastics: Recycled material proportion of "non-visible parts" up to 100%

CO2-neutral label available at customer's request

Seat and back upholstery can be exchanged

Configurations

Seat mechanism color*



Mechanism black 810 Mechanism pearl metallic 812 Mechanism alu-metallic 813 Mechanism polished

Footbase*



5-arm aluminium, black 810 5-arm aluminium, pearl-metallic 812 5-arm aluminium, alu-metallic 813 5-arm aluminium, polished

Castor*



50 mm for soft / hard floors 50 mm for soft / hard floors - broken when loaded 65 mm for soft / hard floors 65 mm for soft / hard floors - broken when loaded



Glides

Seat height*



40-52cm
43-59cm
46-62cm

Push rod cover*



Armrest*



Fixed, aluminium support black 810 Fixed, aluminium support pearl-metallic 812 Fixed, aluminium support alu-metallic 813 Fixed, aluminium support polished



4D-NPR Aluminium support black, with softpad

Coat hanger*



Black 810 Pearl-metallic 812 Alu-metallic 813



4D Aluminium support black 810, with softpad 4D Aluminium support pearl-metallic 812, with softpad 4D Aluminium support alu-metallic 813, with softpad 4D Aluminium support polished, with softpad

+



Upholstered top fabric / leather

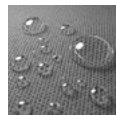
Lumbar support depth adjustab*



Upholsterd backshell*



Cleanguard*



Back / seat
Back / seat / upholstered backshell

* Accessories are not available for all models. Please check the configuration for individual models.