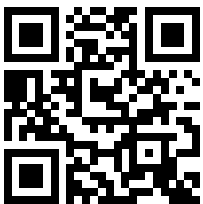




giroflex 64

Designed by Paolo Fancelli
for Flokk brand Giroflex

Learn more about
giroflex 64



The giroflex 64 is a true icon of the Giroflex brand.

Captivating geometric lines with purpose, high quality precision engineering, and ergonomic excellence. The giroflex 64 is designed to work for you. Forever.

Recognised for enhancing the health and well-being of users, the giroflex 64 seamlessly blends purposeful curves, with its unique, industry-leading synchro-motion mechanism.

Synchro-motion

Driving the performance of the giroflex 64 is our patented synchro-motion mechanism.

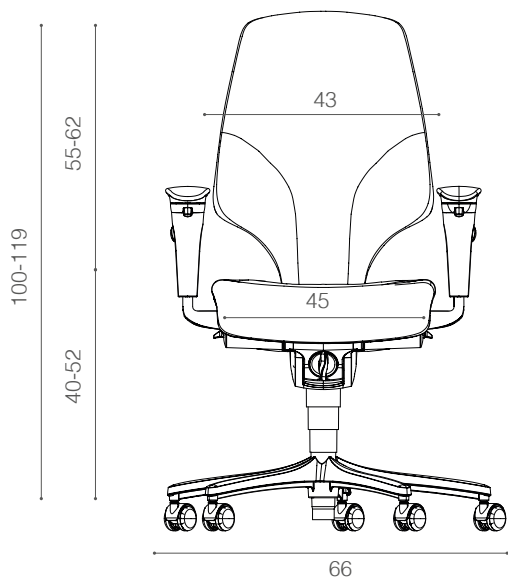
Synchro-motion operates by seamlessly following your natural movements, providing individual tilt angles for both the chair seat and backrest. This ensures that the seat and backrest move in perfect harmony with your body during recline.

Recommended workspace

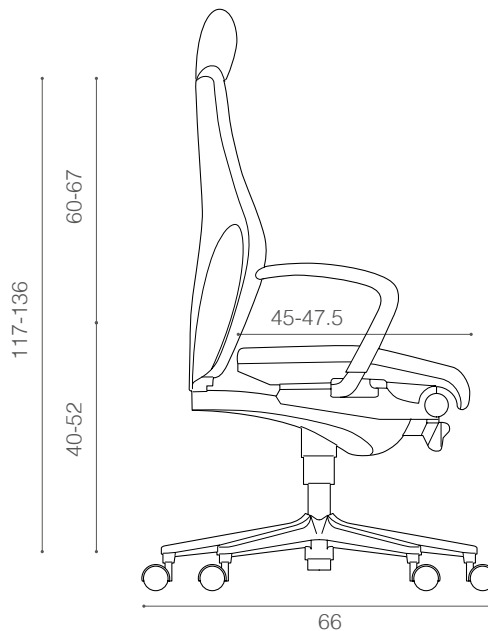
Its quality features are the scientifically tested ergonomics, the multitude of individual settings, the high level of comfort and distinctive design. These swivel chairs have been created for active sitting. Simply and conveniently adjusted to your needs from any sitting position.

Measurements

64-3578



64-9778



Armrest can be installed subsequently.

| giroflex 64 | Standard upholstery chairs | | | Executive chairs | | |
|-------------------------------------------------|----------------------------|-----------|------------|------------------|-----------|-----------|
| | -3078 | -3578 | -4578 | -9278 | -9778 | -9878 |
| Seat height loaded | 40-52cm | 40-52cm | 40-52cm | 40-52cm | 40-52cm | 40-52cm |
| Total height (without headrest) | 92-111cm | 100-119cm | 100-119cm | 106-125cm | 117-136cm | 119-148cm |
| Backrest height above seat | 47-54cm | 55-62cm | 55-62cm | 60-67cm | 60-67cm | 60-67cm |
| Seat width | 45cm | 45cm | 48.5cm | 51cm | 51cm | 51cm |
| Backrest width | 43cm | 43cm | 43cm | 47cm | 47cm | 47cm |
| Total width (5-arm base) | 66cm | 66cm | 66cm | 66cm | 66cm | 66cm |
| Seat depth | 41.5-44cm | 41.5-44cm | 41.5-44cm* | 45-47.5cm | 45-47.5cm | 45-47.5cm |
| Backrest inclination angle | +24° | +24° | +24° | +24° | +24° | +24° |
| Mechanism automatic adaption to the body weight | 45-120kg | 45-120kg | 45-120kg | 45-120kg | 45-120kg | 45-120kg |

* Also available 50mm seat depth option in this version

Models and Measurements (acc. to EN 1335-1:2020 Type B)

Measurements can vary slightly from chair to chair

Technical description

| | |
|----------------------------|--------------------------------------------------------------------------------------------------------------------------------------------------------------------------------------------------------------------------------------------------------------------------------------------------------------------------------------------------------|
| Base | 5-arm aluminium diecast base black, pearl metallic or aluminium metallic |
| Castors | Dual wheel castors Ø 50mm, black for hard or soft floors Castors in default configuration are braked unloaded Option • Dual wheel castors Ø 65mm, black` NOTE: Causes modified seat height of plus 1cm |
| Column / gas lift | • Standard component for seat height infinitely adjustable range=12cm • Type approved acc. to EN 16955 Class 4 • Push rod covering Options: • Extra seat heights: See price-list "special seat heights" |
| Synchro-mechanism | • Aluminium diecasting design • Point synchronous movement: Seat /backrest ratio = 1:2 Seat angle = 0° to 12° Back angle = 0° to 24° 6 preset positions or „freefloat“ Built-in torsion rods (no gas cylinder) • Tilt resistance individually adjustable with center turning knob |
| Controls | The controls are positioned so to be easily accessible, when sitting in the chair. • Handle (left) for seat height adjustment • Release button for seat depth adjustment • Handle (right) for lock and release of mechanism • Press button for vertical adjustment of backrest • Center turning knob for individual tilt resistance |
| Seat depth adjustment | • 3 preset positions • Adjustment range = 2.5cm Option for seat width 48,5cm: • 5 preset positions • Adjustment range = 5cm |
| Seat shell | Polypropylene (PP) structured surface, black (810) |
| Back shell | Polypropylene (PP) structured surface, black (810) Option • Covered with fabric or leather |
| Backrest height adjustment | • 8 preset positions • Adjustment range = 7cm |

Technical description

| | |
|--------------------------------|--------------------------------------------------------------------------------------------------------------------------------------------------------------------------------------------------------------------------------------------------------------------------------------------------------------------------------------------------------------------------------------------------------------------------------------------------------------------------------------------------------------------------------------------|
| Lumbar support | Depth adjustable with rotatable lever for optimal adaptation and support of the back |
| Upholstering foam | <p>PUR-foam, free of CFC Flame retardant as per:</p> <ul style="list-style-type: none">• EN 1021-1:2006, Part 1• EN 1021-2:2006, Part 2 <p>Foam-hardness according to DIN53576c / ISO2439:</p> <ul style="list-style-type: none">• Seat 270 ±10%• Backrest 220N ±10%• Volume weight ~60kg/m³ <p>Foam thickness (only foam) back 19mm / seat 38mm</p> <p>Option</p> <ul style="list-style-type: none">• Comfort upholstery (included with executive chairs) |
| Powder coating | <p>Epoxy-Polyester mixed powder mixing ratio ~50:50</p> <p>Colours:</p> <ul style="list-style-type: none">• 810 black• 812 perl-metallic• 813 alu-metallic |
| Shape of seat and backrest | <p>2-zone seat:</p> <ul style="list-style-type: none">• The front part (approx. 1/3 of the seat surface) has a 7° forward tilt to relieve pressure on thighs• The rear part supports the pelvic area and prevents the occupant from sliding forward <p>Backrest:</p> <ul style="list-style-type: none">• Pronounced ergonomic design for optimal adaptation and support of the back |
| Covering materials | <ul style="list-style-type: none">• We offer a wide range of upholstery options. All fabrics and leathers in our collection are of premium quality, sourced from renowned suppliers we trust and collaborate with• For detailed technical specifications, please refer to the fabric sample cards or visit the suppliers' websites |
| Increased back tilt resistance | Option which increases tilt resistance by approx. 30% |
| Coat hanger | <p>Option:</p> <ul style="list-style-type: none">• Steel wire Ø7mm, powder coated black 810 subsequent installation possible |
| Headrest | <p>Option</p> <p>Adjustable settings:</p> <ul style="list-style-type: none">• Height 6cm, sliding function• Tilt angle 80°, infinitely adjustable <p>Covered with fabric, Paloma Soft, Elmosoft</p> |

Technical description

Armrests

Options for seat width 51cm:

- Standard armrests fix, can be fitted retrospectively
- 4D-armrests (height- and width adjustable armpads longitudinal)
- Material: Aluminium diecast, powder coated or polished
- Armpads made of PU-integral foam, structured surface - optional covered with fabric or leather.

Options for the seat width 45cm and 48,5 cm:

- Fixed armrests
- 1D- armrests (height adjustable)
- 4D-armrests (height- and width adjustable armpads longitudinal slidable and rotatable by 360°)
- 4D-NPR armrests (height- and width adjustable armpads longitudinal slidable and rotatable by 360°)
- Armpads optional, covered with fabric or leather
- All armrests can be fitted retrospectively

Can be installed subsequently

Certifications and environment

- EPD
- Greenguard Gold
- GS
- EN 1335-1:2020 Type B

| Basic version of giroflex 64 | | | |
|------------------------------|----------------------|--------------|------------|
| Recyclable materials | Material | Mix (weight) | Recyclable |
| Column & Steel parts | Fe | 10% | 100% |
| Aluminium | Al | 52.8% | 100% |
| Plastic | PP / PA | 20% | 100% |
| Seat upholstery | PUR CFC-free | 13,7% | 98% |
| Components (e.g. castors) | PA / Fe | 2,4% | 0% |
| Covering materials | Fabric Trevira CS | 1,1% | Up to 100% |

All plastic parts are identified acc. to ISO/DIS 11469 (identification of specific types)

Plastics: Recycled material proportion of "non-visible parts" up to 100%

CO₂-neutral label available at customer's request

Seat and back upholstery can be exchanged

Configurations

Seat mechanism color*



Mechanism black 810 Mechanism pearl metallic 812 Mechanism alu-metallic 813 Mechanism polished

Footbase*



5-arm aluminium, black 810 5-arm aluminium, pearl-metallic 812 5-arm aluminium, alu-metallic 813 5-arm aluminium, polished

Castor*



50 mm for soft / hard floors 50 mm for soft / hard floors - broken when loaded 65 mm for soft / hard floors 65 mm for soft / hard floors - broken when loaded



Glides

Seat height*



40-52cm
43-59cm
46-62cm

Push rod cover*



52-69cm
59-76cm
66-83cm

Armrest*



Fixed Black 810 1D Steel support 4D-NPR Aluminium support black, with softpad Fixed, aluminium support black 810 Fixed, aluminium support pearl-metallic 812 Fixed, aluminium support alu-metallic 813 Fixed, aluminium support polished



4D Aluminium support black 810, with softpad 4D Aluminium support pearl-metallic 812, with softpad 4D Aluminium support alu-metallic 813, with softpad 4D Aluminium support polished, with softpad

+



Upholstered top fabric / leather

Coat hanger*



Black 810 Pearl-metallic 812 Alu-metallic 813

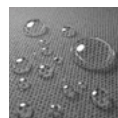
Lumbar support depth adjustab*



Upholsterd backshell*



Cleanguard*



Back / seat
Back / seat / upholstered backshell

Footring*



Centre piece black, Ø 50 CM

* Accessories are not available for all models. Please check the configuration for individual models.