



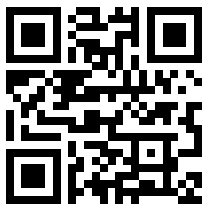
---

## giroflex 64 Laboratory Chair

---

Designed by Paolo Fancelli  
for Flokk brand Giroflex

Learn more about  
giroflex 64 Laboratory Chair



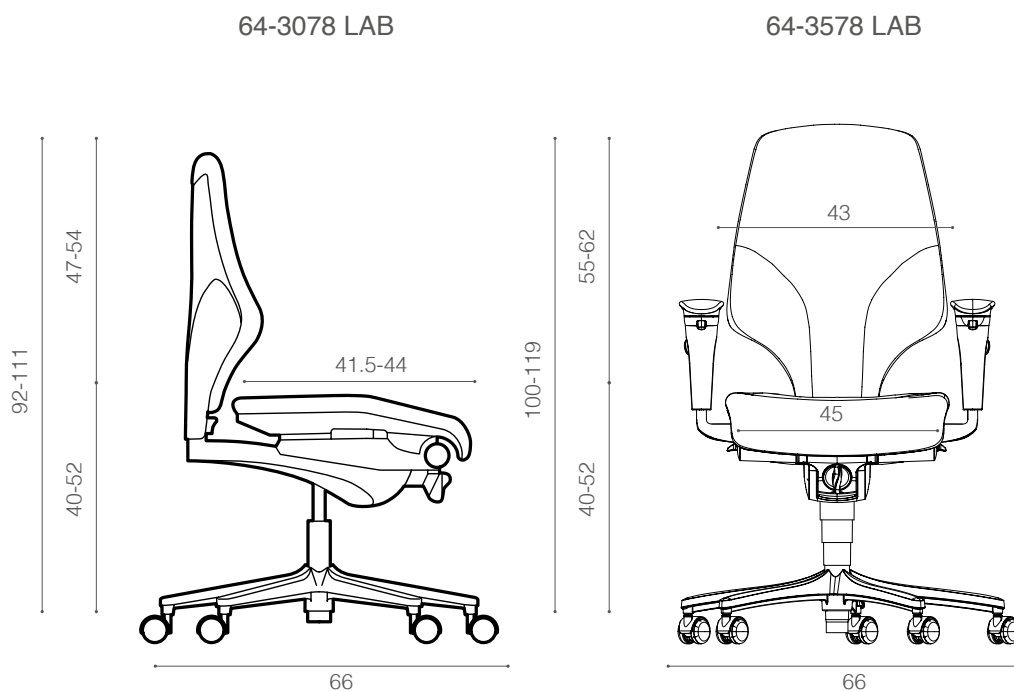
**The giroflex 64 is a true icon of the Giroflex brand.**

For intensive research work The giroflex Lab Chairs are at home in research. They are found in the areas of medical, chemical and information technology, as well as in the life sciences. Wherever experiments are conducted under strict hygienic conditions and objects must be examined in a very precise way, the Lab Chairs by Giroflex are exactly right. The chair models are designed for this environment.

In order for the researchers and lab technicians to concentrate completely on their work, it must be possible to adjust the work chairs – when working with microscopes, for example – in a precise manner. Whichever model you work with, you will be individually supported by the Giroflex all-rounders in their robust and resilient way. With their contemporary design and variety of colours, they fit perfectly into the classic lab environments and modern office landscapes.

Swivel chair The giroflex 64 swivel chair stands for noticeably correct sitting. This global million seller classic of office furnishings guarantees perfect seating comfort. The technical perfections and the scientifically tested ergonomics allow the giroflex 64 swivel chairs to offer its users optimal support in every sitting position.

# Measurements



giroflex 64	-3078 LAB	-3578 LAB
Seat height loaded	40-52cm	40-52cm
Total height	92-111cm	100-119cm
Backrest height above seat	47-54cm	55-62cm
Seat width	45cm	45cm
Backrest width	43cm	43cm
Total width (5-arm base)	66cm	66cm
Seat depth	41.5-44cm	41.5-44cm
Backrest inclination angle	+24°	+24°
Mechanism automatic adaption to the body weight	45-120kg	45-120kg

Models and Measurements (acc. to EN 1335) | Measurements can vary slightly from chair to chair

# Technical description

---

Base	<p>Standard</p> <ul style="list-style-type: none"><li>• 5-arm aluminium diecast base</li></ul> <p>Option:</p> <ul style="list-style-type: none"><li>• Polished aluminium finish</li></ul>
Castors	<p>Dual wheel castors Ø 50mm, black for hard or soft floors Castors in default configuration are braked unloaded</p> <p>Option:</p> <ul style="list-style-type: none"><li>• Dual wheel castors Ø 65mm, black</li></ul> <p>NOTE: Causes modified seat height of plus 1cm</p>
Column / gas lift	<ul style="list-style-type: none"><li>• Standard component for seat height infinitely adjustable range=12cm</li><li>• Type approved acc. to EN 16955 Class 4</li><li>• Black finish only when the base (UT) is 810 black</li></ul> <p>Option:</p> <ul style="list-style-type: none"><li>• Push rod covering</li><li>• Extra seat heights: see price-list "special seat heights"</li></ul>
Synchro-mechanism	<ul style="list-style-type: none"><li>• Aluminium diecasting design</li><li>• Point synchronous movement: Seat /backrest ratio = 1:2 Seat angle = 0° to 12° Back angle = 0° to 24° 6 preset positions or „freefloat“ Built-in torsion rods</li><li>• Tilt resistance individually adjustable with center turning knob</li></ul>
Controls	<ul style="list-style-type: none"><li>• The controls are positioned so to be easily accessible, when sitting in the chair</li><li>• Handle (left) for seat height adjustment</li><li>• Release button (right) for seat depth adjustment</li><li>• Handle (right) for lock and release of mechanism</li><li>• Press button for vertical adjustment of backrest</li><li>• Center turning knob for individual tilt resistance</li></ul>
Seat depth adjustment	<ul style="list-style-type: none"><li>• 3 preset positions</li><li>• Adjustment range = 2.5cm</li></ul>
Seat shell	<p>Polypropylene with 15% mineral powder (PP MD15) Black 810, structured surface</p>
Back shell	<p>Polypropylene (PP), structured surface Black 810</p>
Backrest height adjustment	<ul style="list-style-type: none"><li>• 8 preset positions</li><li>• Adjustment range = 7cm</li></ul>

---

# Technical description

---

## Upholstering foam

PUR-foam, free of CFC Flame retardant as per:

- EN 1021-1:2006, Part 1
- EN 1021-2:2006, Part 2

Foam-hardness according to DIN53576c / ISO2439:

- Seat 260N ±10%
- Backrest 260N ±10%
- Volume weight ~70kg/m<sup>3</sup>

## Powder coating

Epoxy-Polyester mixed powder mixing ratio ~50:50

Colours:

- 810 black
- 812 perl-metallic
- 813 alu-metallic

## Shape of seat and backrest

2-zone seat:

- The front part (approx. 1/3 of the seat surface) has a 7° forward tilt to relieve pressure on thighs
- The rear part supports the pelvic area and prevents the occupant from sliding forward

Backrest:

- Pronounced ergonomic design for optimal adaptation and support of the back

## Covering materials

- Available only in Skai Palma

## Certifications and environment

- EPD
- Greenguard Gold
- GS
- EN 1335-1:2020 Type B

## Cleaning recommendation for plastics

- Use of commercially available plastic or car cleaner e.g. Lixtop-Typ [www.typ-gummi-tgw.com](http://www.typ-gummi-tgw.com)
- Water with a little detergent

---

# Recycling

---

Basic version of giroflex 64			
Recyclable materials	Material	Mix (weight)	Recyclable
Column & Steel parts	Fe	10%	100%
Aluminium	Al	52,8%	100%
Plastic	PP / PA	20%	100%
Seat upholstery	PUR CFC-free	13,7%	98%
Components (e.g. castors)	PA / Fe	2,4%	0%
Covering materials	Fabric Trevira CS	1,1%	Up to 100%

All plastic parts are identified acc. to ISO/DIS 11469 (identification of specific types)

Plastics: Recycled material proportion of "non-visible parts" up to 100%

CO<sub>2</sub>-neutral label available at customer's request

Seat and back upholstery can be exchanged

# Configurations

## Seat mechanism color\*

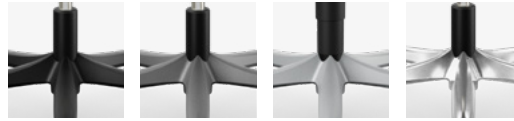


Mechanism  
black 810

Mechanism  
pearl metallic  
812

Mechanism  
alu-metallic  
813

## Footbase\*



5-arm  
aluminium,  
black 810

5-arm  
aluminium,  
pearl-metallic  
812

5-arm  
aluminium,  
alu-metallic  
813

5-arm  
aluminium,  
polished

## Castor\*



50 mm for soft  
/ hard floors

50 mm for soft  
/ hard floors  
- broken when  
loaded

65 mm for soft  
/ hard floors

65 mm for soft  
/ hard floors  
- broken when  
loaded



Glides

## Seat height\*



40-52cm  
43-59cm  
46-62cm



52-69cm  
59-76cm  
66-83cm

## Push rod cover\*



## Armrest\*



Fixed  
Black 810

1D  
Steel support

4D-NPR  
Aluminium  
support black,  
with softpad

4D  
Aluminium  
support black  
810, with softpad

4D  
Aluminium  
support  
pear-metallic  
812, with softpad

4D  
Aluminium  
support  
alu-metallic 813,  
with softpad

4D  
Aluminium  
support  
polished,  
with softpad

## Lumbar support depth adjustab\*



## Footring\*



Centre piece  
black, Ø 50 CM

\* Accessories are not available for all models. Please check the configuration for individual models.