



Design: Andreas Engesvik
Flokk Design Team

HÅG Minu

HÅG Minu bridges the gap between task chairs and lightweight informal seating, offering comfort for shorter, flexible-use scenarios. Designed by Andreas Engesvik with a focus on simplicity, usability, and everyday versatility across home and informal work settings.

- HÅG Minu is a compact ergonomic task chair, lightweighted, neat, and colourful
- Created for the modern home office, it blends comfort and functionality with a warm, contemporary expression.
- Built on HÅG's signature inBalance® movement mechanism, the chair supports dynamic sitting while presenting itself more as a piece of furniture than a traditional office chair.
- With fully upholstered seat and back, a sculptural die-cast aluminium base, and a choice of fresh colours and fabrics, HÅG Minu brings ergonomic innovation into the home environment.

QUALITY

10-year guarantee:

Flokk provides a ten-year guarantee against production defects on all HÅG chairs that are in normal use for up to 9 hours per day

Certifications:

Tested in accordance to EN 16139 and EN 12520

Fire safety information:

CMHR foam (fire resistant foam) is available on request and must be specified at time of order.

Maintenance:

Vacuum clean the chair with furniture brush it with a clean, white cloth or sponge slightly dampened with clean lukewarm water. Do not remove any plastic parts or attempt to open the seating mechanism. Contact your Flokk dealer if the chair requires service or maintenance.

ENVIRONMENT

- Designed for easy assembly, disassembly and refurbishment
- Made with 60,14 % recycled materials
- Carbon footprint 26,45 kg CO2e for model 1010

Certifications:

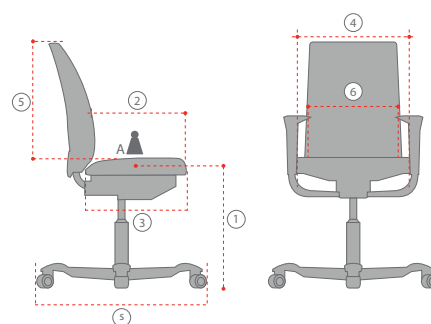
- Environmental product declaration (EPD) – life cycle analysis of the chair based on ISO 14025
- GREENGUARD GOLD certificate – ensures that the chair meets strict chemical emissions limits.
- EU Ecolabel
- Möbelfakta



MODELS AND MEASUREMENTS



Physical measurements HÅG Minu	1010
Seat height 125mm gas lift (1)	42-53
Adjustable seat depth (2)	-
Seat pad depth (3)	42
Seat pad width (4)	41,3
Backrest height adjustable (5)	36
Footbase width (s)	63
Backrest width (6)	40,5
Backrest incline (degree)	21,6
Neutral position (degree)	-1,7
Tilt range (degree)	(2,8) - (-11)
Chair weight (KG)	10



Measurements in cm. Measured with 64 kg load. Where a chair is adjustable, minimum and maximum measurements are listed.

Please note that these measurements are not absolute. They may vary slightly from chair to chair.

A: Mid-point of the chair, loaded with 64 kg.

CONFIGURATION OPTIONS

- All models can be configured of your choice, by choosing and combining 6 different paint colours (Black RAL 9005, Wheat NCS S2010-Y, Plum NCS S8010-R10B, Sunset NCS S1085-Y80R and Sky NCS S2065-R90B) for the aluminium footbase, the gaslift cover, and the plastic castors.

A polished version of the aluminium footbase is also available with a black gaslift.

- Choose from either a curated colour selection from Designer Andreas Engesvik, or create your own from over 100 fabrics



For more detailed information please contact your HÅG dealer or visit: www.flokk.com/hag