

How to dispose of product - OFFECCT Circulus

Please Note: This product is designed for easy disassembly!

1. Assess the furniture condition.

Flokk provides spare parts for easy replacement of worn-out components

2. Consider donating or selling if in good condition.



How to dispose of product - OFFECCT Circulus

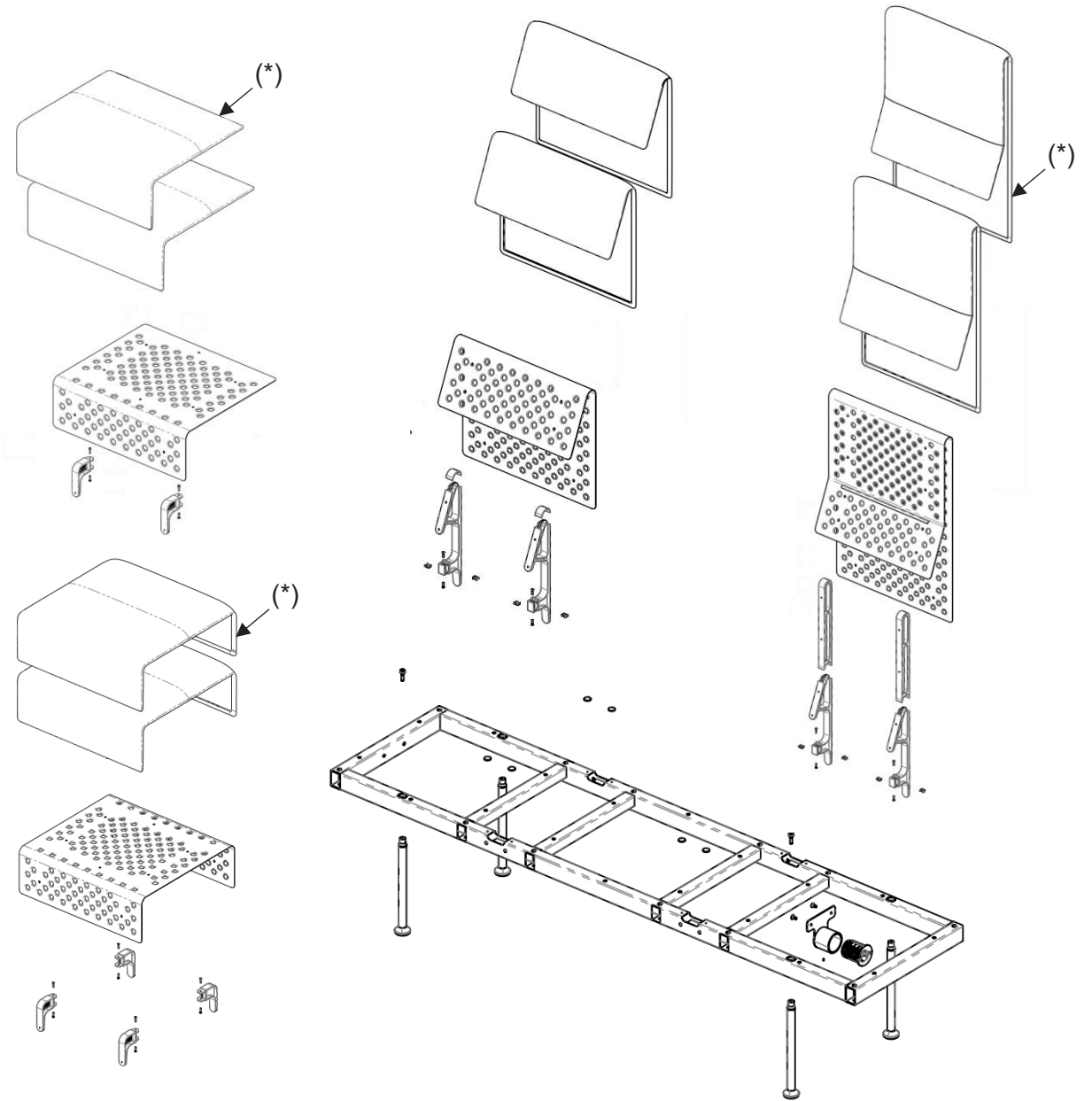
Please Note: This product is designed for easy disassembly!

3. RECYCLING - disassemble the chair into its separate materials.

Recycling is the best option for this product, the ability to separate different materials makes segregation easy here.

4. Return to / contact your local waste management service.

In case of product damage or inability to disassemble, please contact your local waste management service for proper material disposal.



(*) The fabric covers contains components made of PP (polypropylene), material is not marked on the part.