



# RBM Bella

## Shell colours

-  Oak (S)
-  Beech (S)
-  Graphite (Dark stained beech) (E)
-  Birch (S)
-  White CPL (S)
-  Grey CPL (E)

## Leg colours

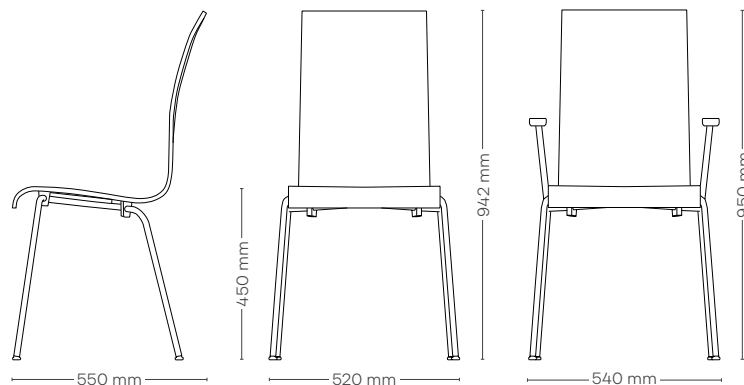
-  Snow (White) (E)
-  Black (S)
-  Metalsilver (S)
-  Steelgrey (S)

RBM Bella is a pure pleasure. A chair that can enliven any circumstance in any company, conference hall or canteen. Clean, smooth lines designed for the hip as well as the proper environments. The high, slightly curved back provides good ergonomic support.

RBM Bella is available in various colours of laminates, veneers and stained veneer.

Design by Tias Eckhoff

Bringing life to rooms



#### Model

- 4445** RBM Bella without upholstery
- 4445S** RBM Bella with seat upholstery
- 4445O** RBM Bella with upholstered front inside
- 4446** RBM Bella with armrest without upholstery
- 4446S** RBM Bella with armrest and seat upholstery
- 4446O** RBM Bella with armrest and upholstered front inside

#### Product specification

- 10 mm chair shell in moulded veneer or CPL in various colours
- Frame of 16 x 2 mm tubular steel in various colours
- Weight: 5.0 kg model 4445, 6.4 kg model 4446
- Interlockable, using optional link device
- Armrest tops on model 4446 in solid beech or birch. Oak or white painted are optional
- Stackable up to 6 chairs with/without upholstery (May leave marks on upholstery after long periods)
- Tested in accordance with EN 16139
- GREENGUARD Gold Certified

#### Accessories/options

- Oak, birch or stained veneer, or CPL laminate
- Oak or white painted armrest tops for 4446, 4446S, 4446O

**449900000** Armrest rubber knob for table suspension

**99000004** Linking device, welded

**RS092089** Felt glides, Ø24 mm, back (per unit)

**RS092093** Felt glides, Ø18 mm, front (per unit)

**149285** Chair trolley

S = standard collection (colours/fabrics) – delivery time from factory within 15 working days

E = extended collection (colours/fabrics) – delivery time from factory within 30 working days

See RBM price list for further details



RBM by Flokk

flokk.com

